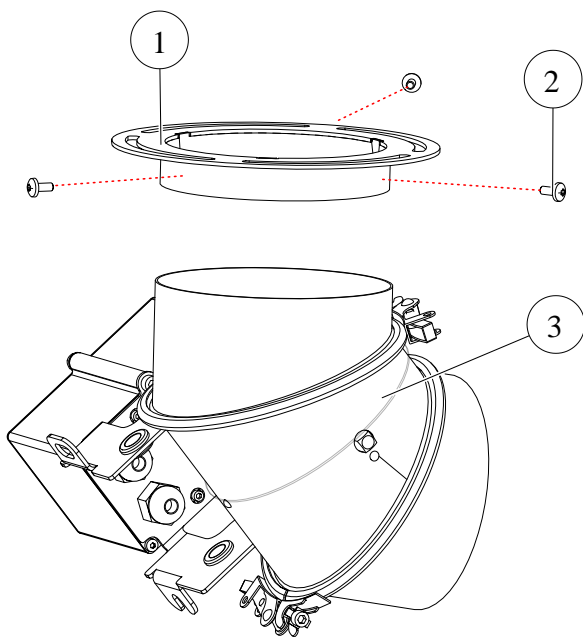


ADAPTER (N003148) OPTIONAL



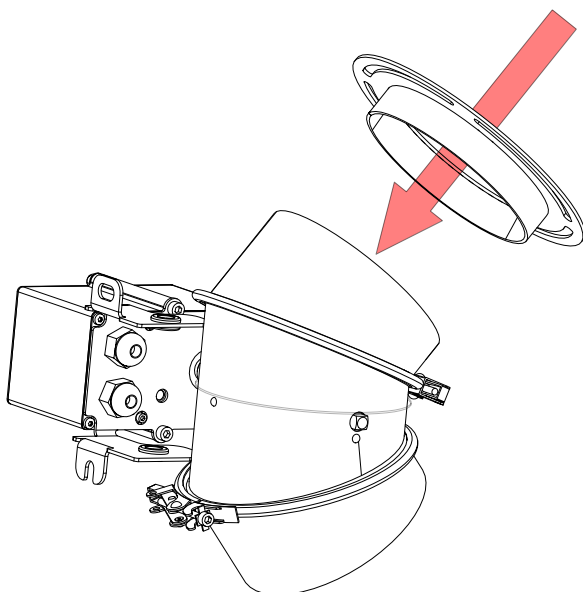
1	Adapter Optional (N003148)
2	incl. 3 pan head screws
3	BG air flap with servomotor (N003129)



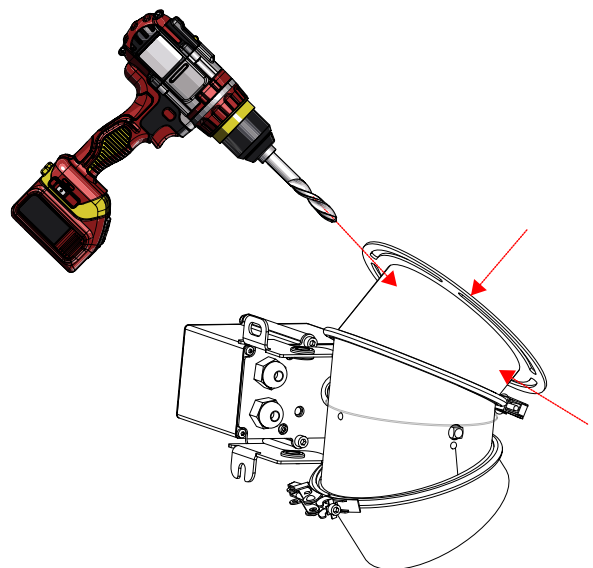
Valid for bottom connection of the adjustable air damper D125 for the following BSKs: BSK 01, BSK 02, BSK 03, BSK 06, BSK 07, BSK 08, BSK 09, BSK 12.

Mounting adapter

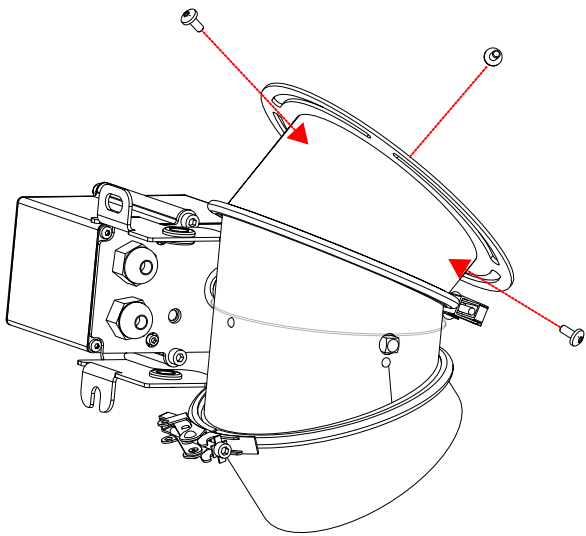
1



2

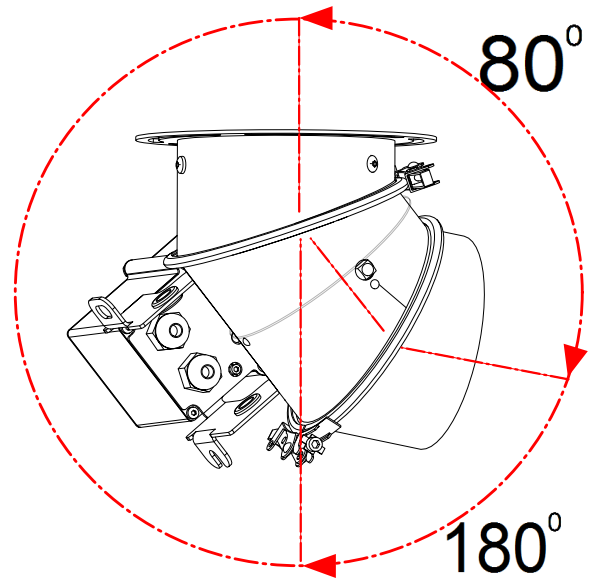


3

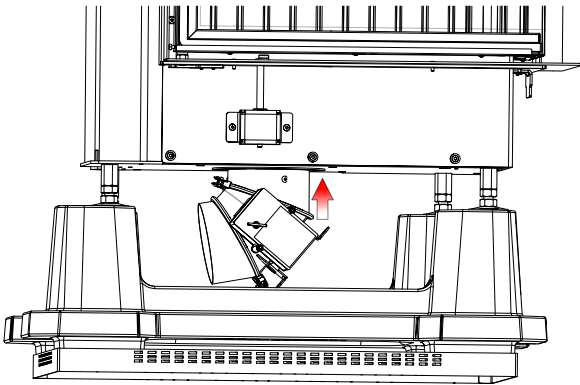


4

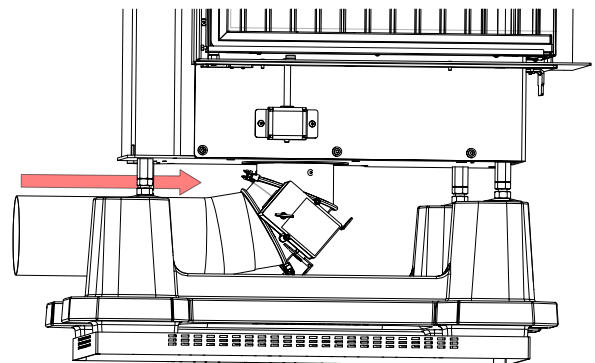
Carry out the required settings:



5



6



Ulrich Brunner GmbH
Phone: +49 (0) 8721/771-0

Zellhuber Ring 17-18
E-mail: info@brunner.de

D-84307 Eggenfelden
Internet: www.brunner.de

Doku-Nr: 202573